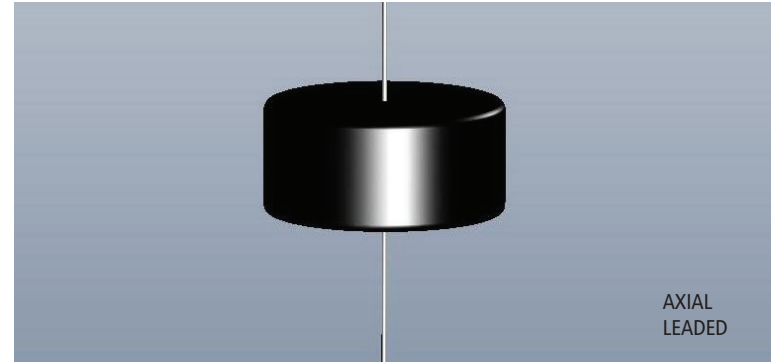
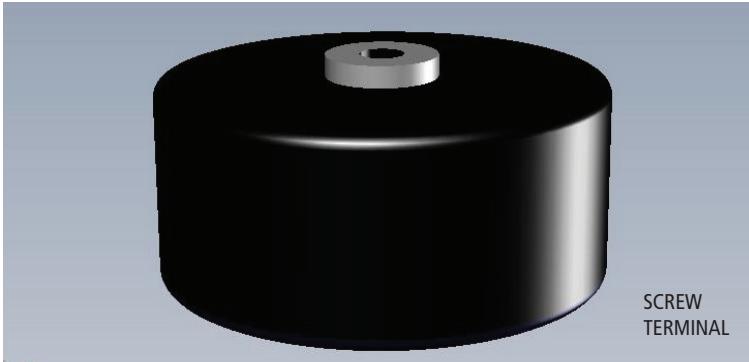


Screw Terminal Mounted High Voltage Ceramic Disc Capacitors | 10kVDC to 40 kVDC

Class 1 – N4700 | Class 2 – Y5U / X7R



Class 1-4700 General Reference Data				
Dielectric Type N4700 - T3M				
Temperature Range -30°C to 80°C (-4700ppm / °C)				
Molded Epoxy Case				
M5 or 8-32, Terminal, or 20 Awg LEADS				
Dissipation Factor ≤ .002				
Insulation Resistance > 200,000 MΩ				
Corona Limit ≤ 5 pc @ AC Voltage Rating				
DC Voltage Rating	10,000	20,000	30,000	40,000

Class 2-Y5U General Reference Data				
Dielectric Type - Y5U				
Temp Coefficient Range -30°C to 85°C (+22% / -56%)				
Molded Epoxy Case				
M5 or 8-32 Terminal, or 20 Awg LEADS				
Dissipation Factor ≤ .025				
Insulation Resistance > 200,000 MΩ				
Corona Limit ≤ 5 pc @ AC Voltage Rating				
DC Voltage Rating	10,000	20,000	30,000	40,000

Class 2-X7R General Reference Data				
Dielectric Type - X7R				
Temp Coefficient Range -55°C to 125°C (±15%)				
Molded Epoxy Case				
M5 or 8-32 Terminal, or 20 Awg LEADS				
Dissipation Factor ≤ .025				
Insulation Resistance > 200,000 MΩ				
Corona Limit ≤ 5 pc @ AC Voltage Rating				
DC Voltage Rating	10,000	20,000	30,000	40,000

Part Number / Ordering Information

